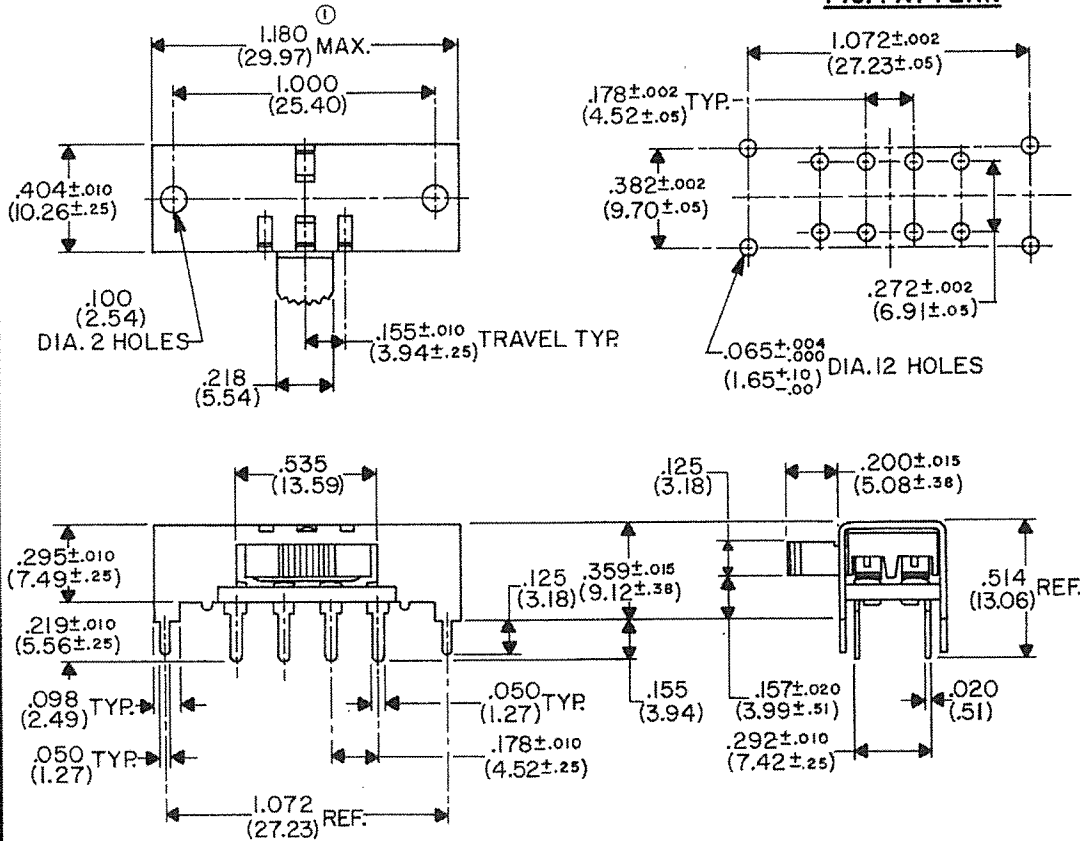


DIMENSIONS IN INCHES (METRIC-MILLIMETERS)
DO NOT SCALE DRAWING.

Drawing Number
GPI-154-0000

P.C. PATTERN



REVISIONS

0	1
405 2 1982	
LIRC WAS 1-170 #2	
NAX-12-5-86	
REF. 9 1985	

ATTENTION

THIS DRAWING AND ITS ATTACHMENTS, IF ANY, ARE PROPRIETARY TO CW INDUSTRIES AND DESCRIBE DESIGNS THAT ARE CONFIDENTIAL AND MUST NOT BE DISCLOSED UNLESS AUTHORIZED, IN WRITING, BY AN OFFICER OF CW INDUSTRIES.....

CW INDUSTRIES
Southampton, Pa. 18966

TOLERANCES UNLESS OTHERWISE SPECIFIED	
2 Place decimal ± .010	METRIC
3 Place decimal ± .005	1 Place dec. ± .25MM
Angles ± 1°	2 Place dec. ± .13MM

Made for CW	
Drawn by GOGOLIN	8-1-83
Checker JAK	8-2-83
Eng. app. JAZ	8-2-83

**SWIDGET,
ASSEMBLY
SYDEWYNDER
D.P. 3 POS.**

Division	SWITCH
Drawing Number	GPI-154-0000